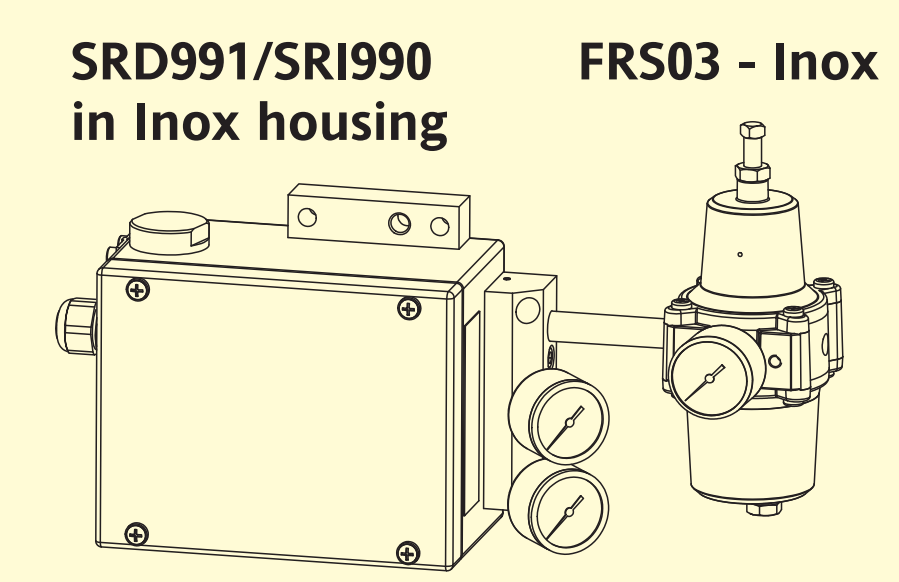
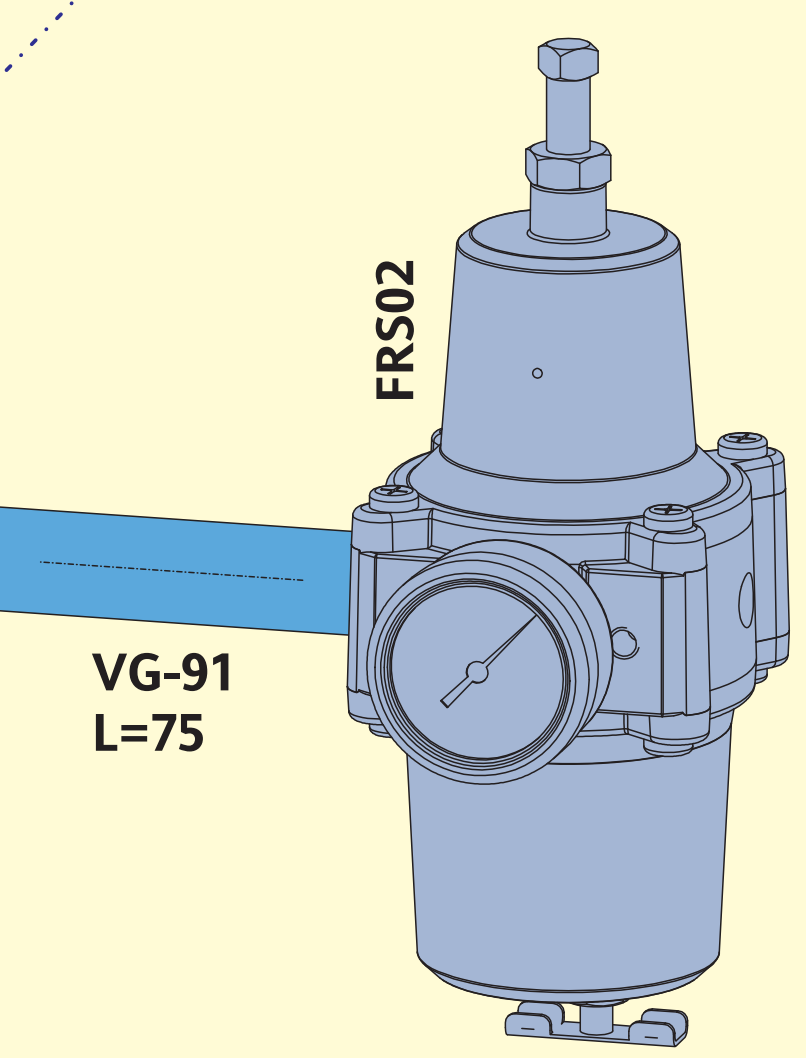
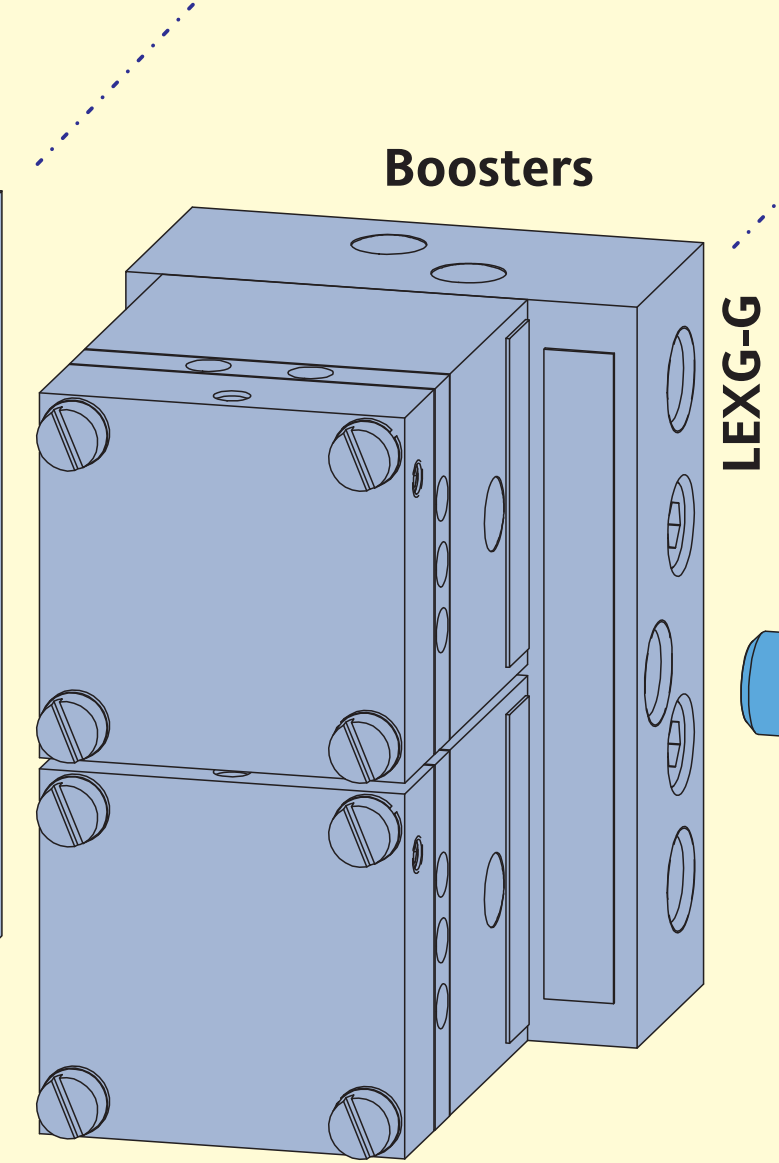
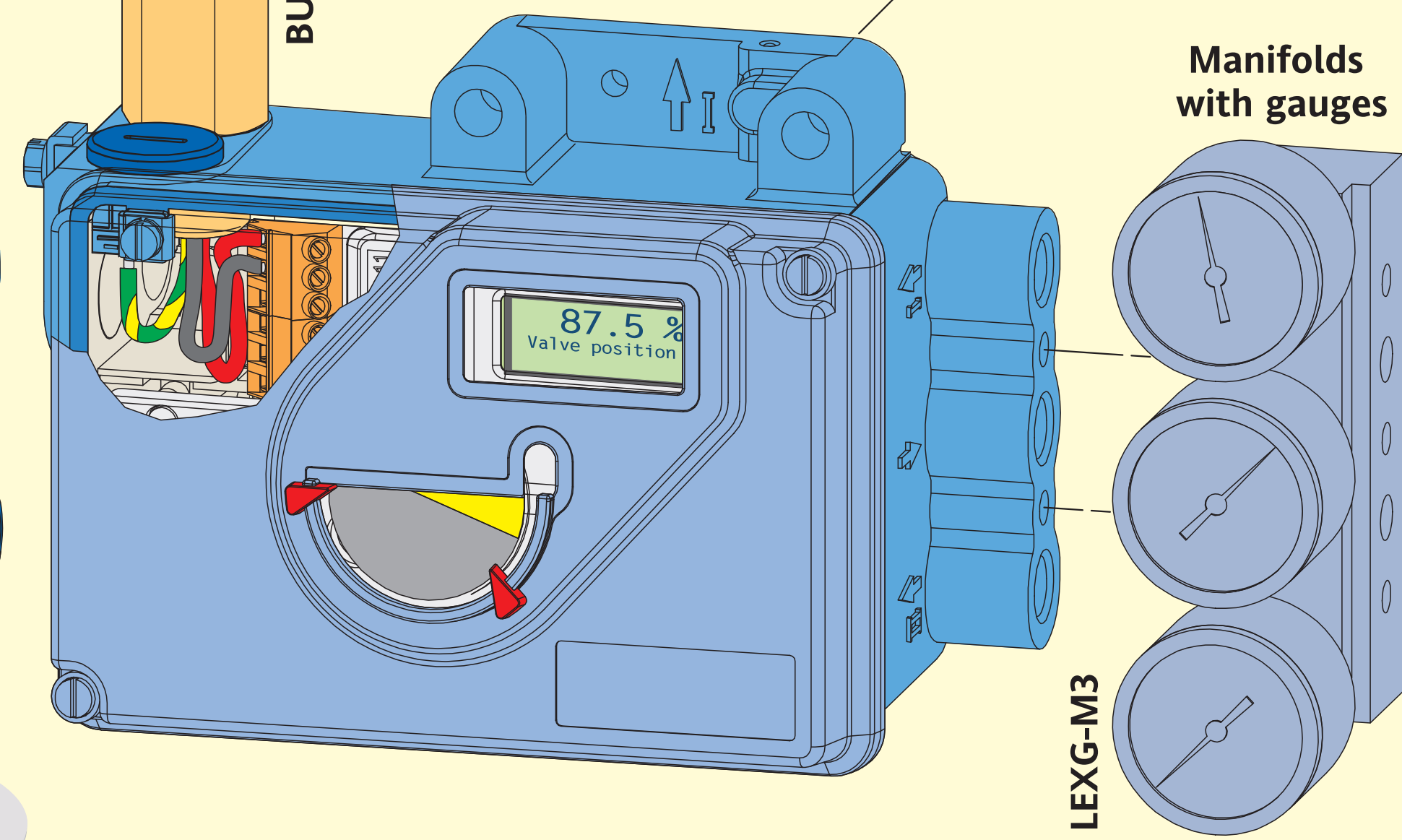
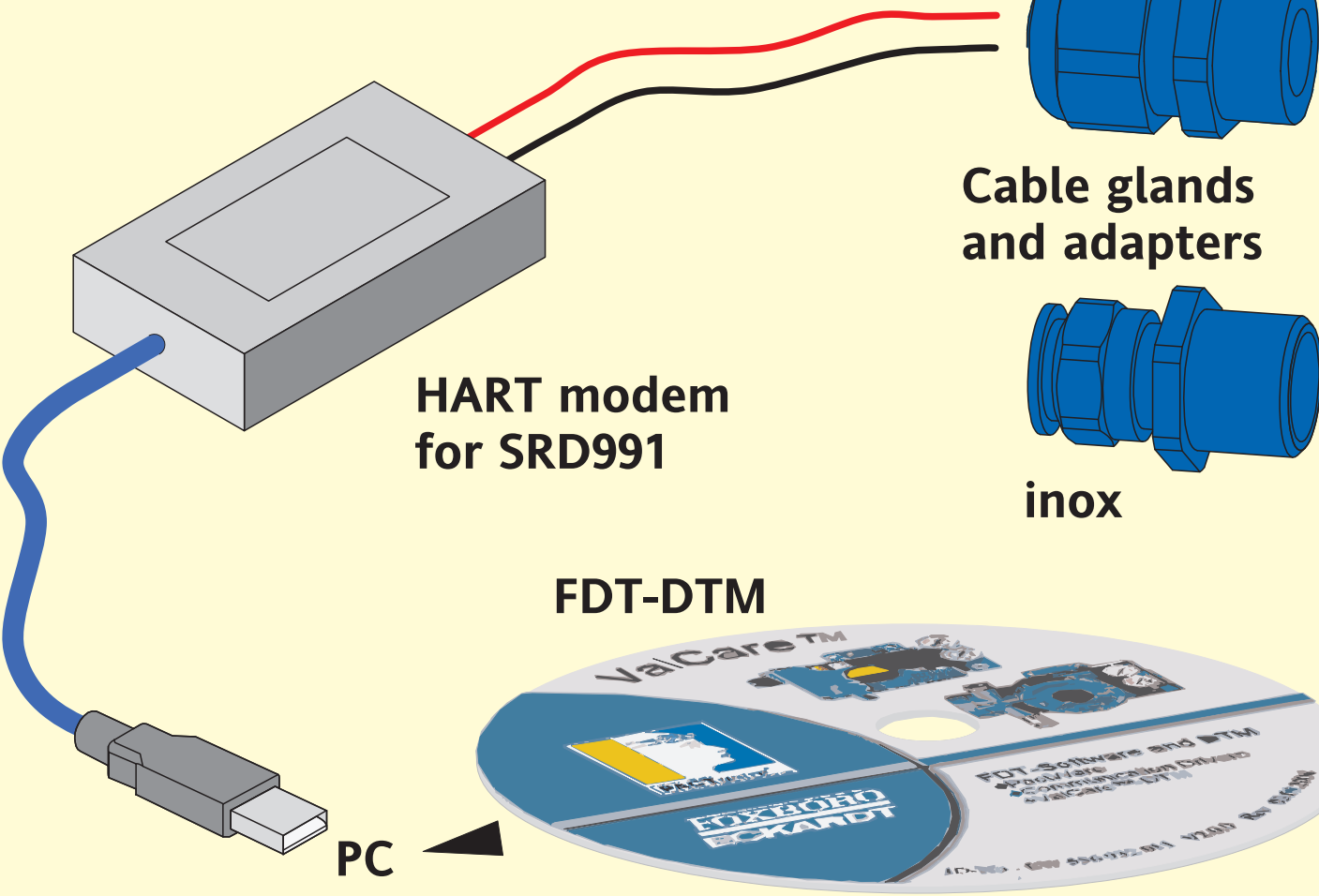
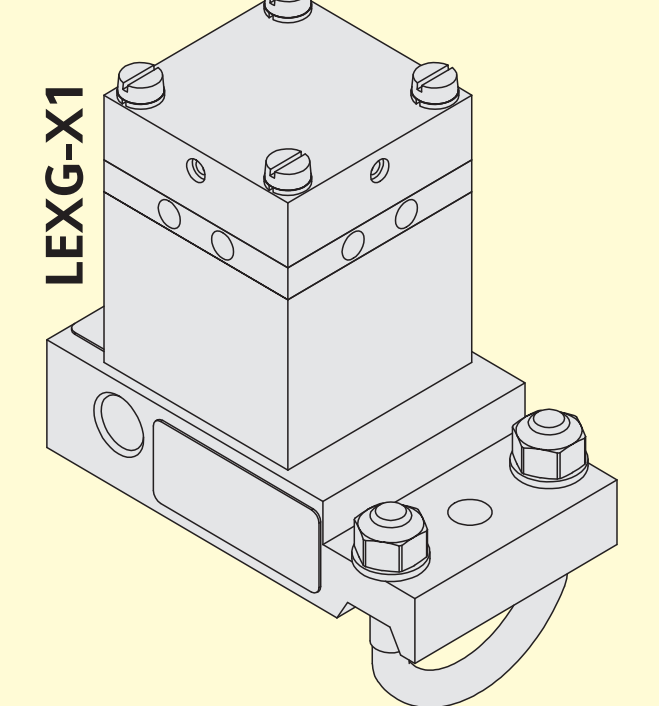
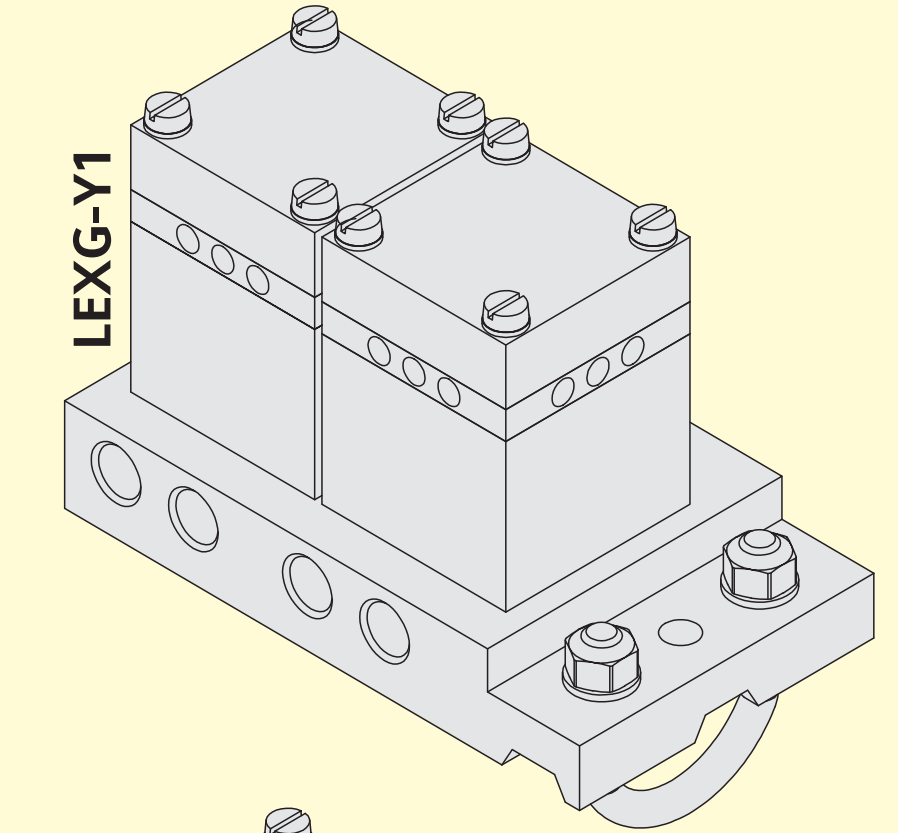
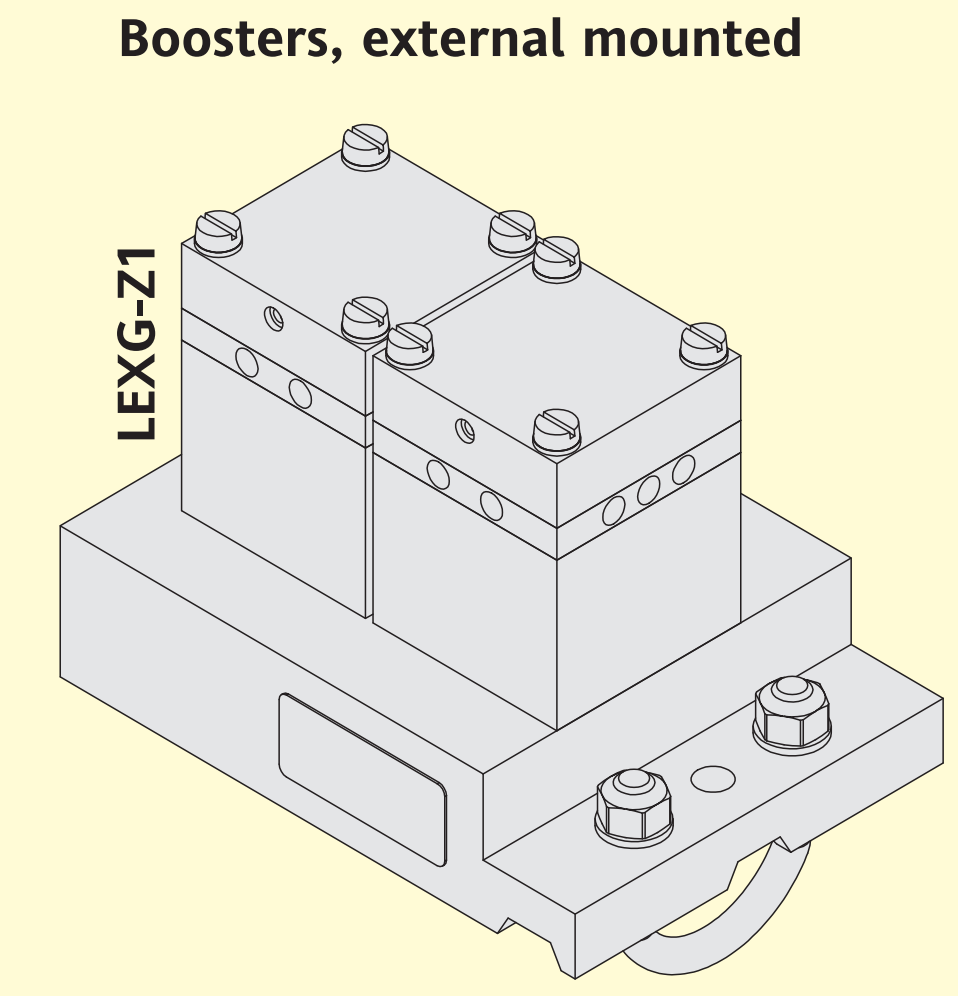
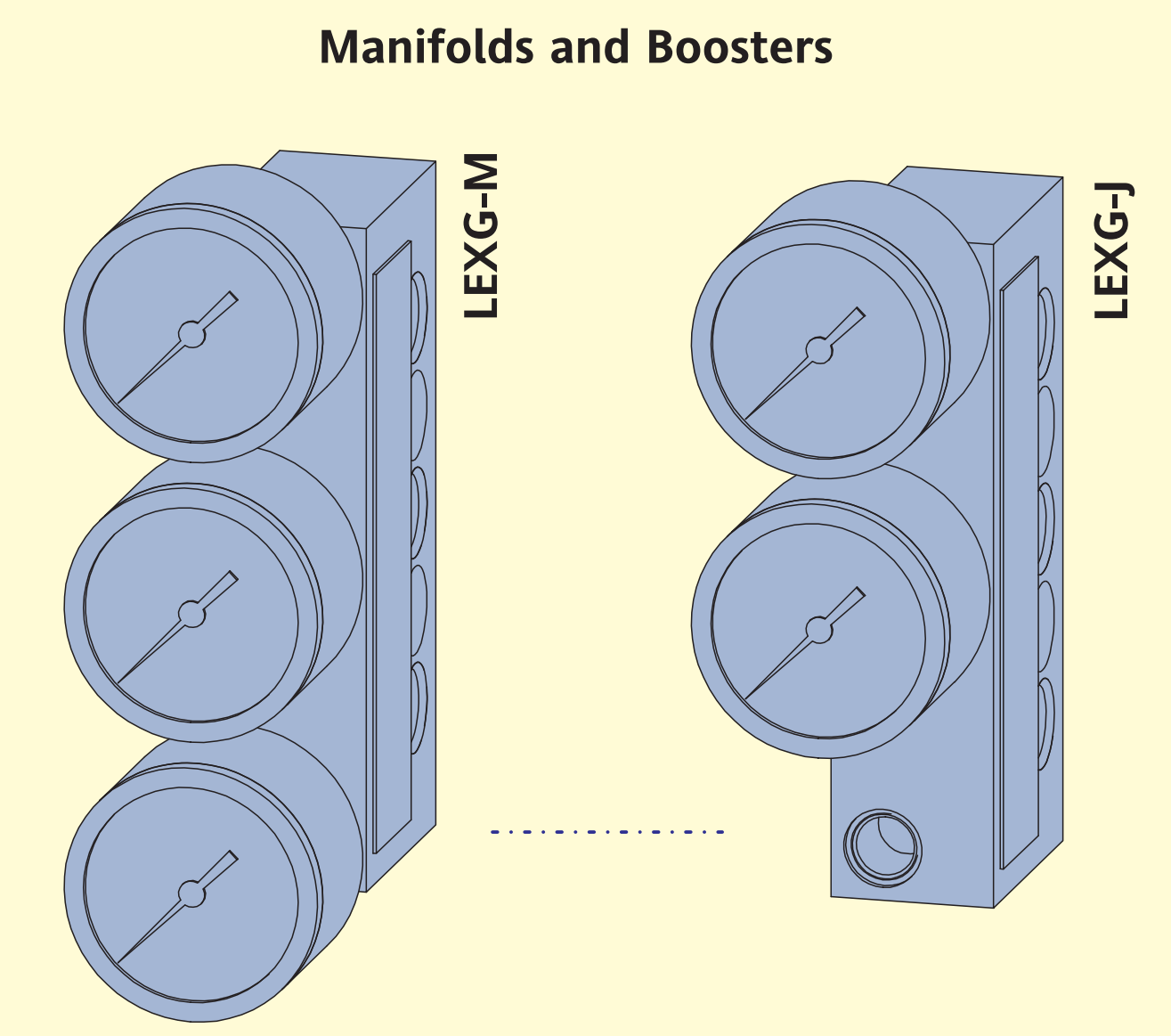
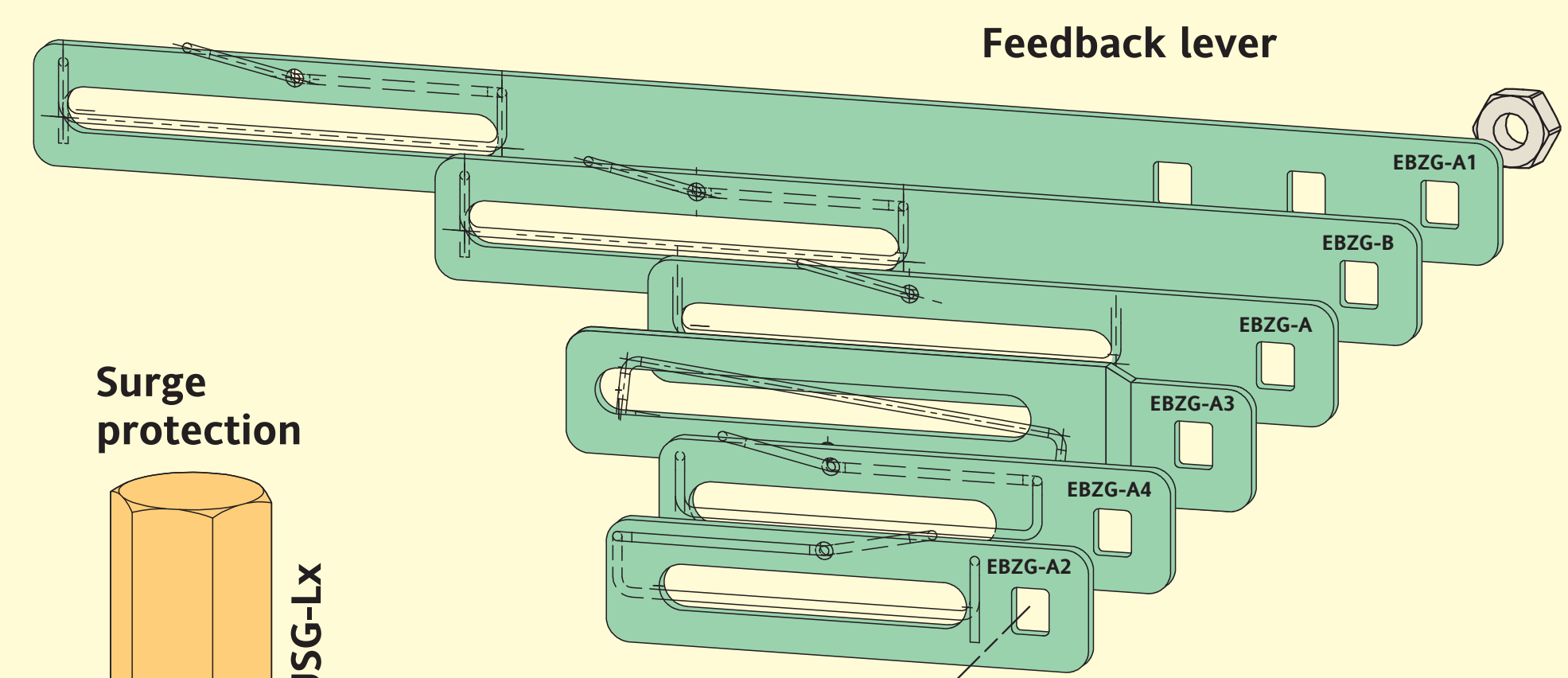
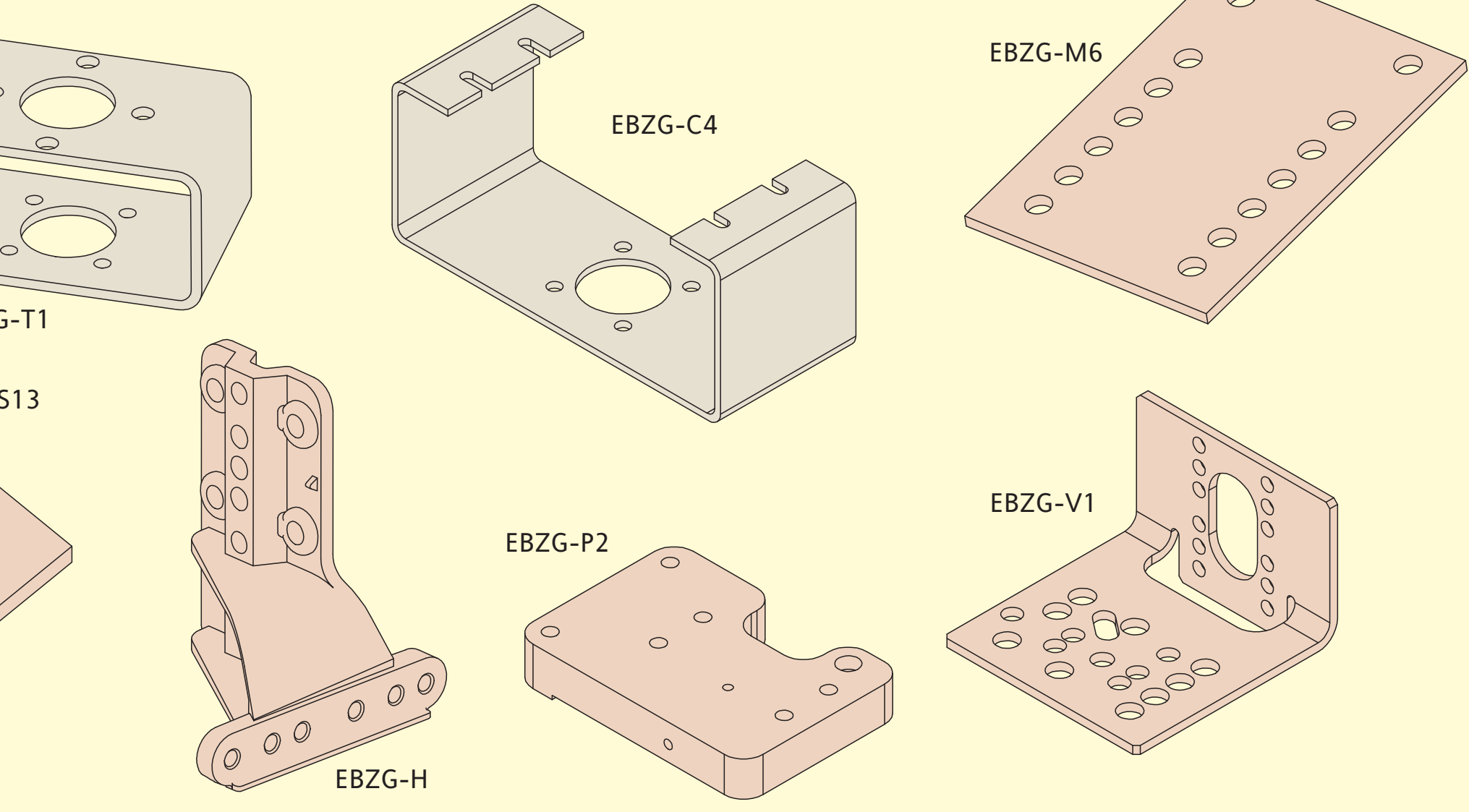
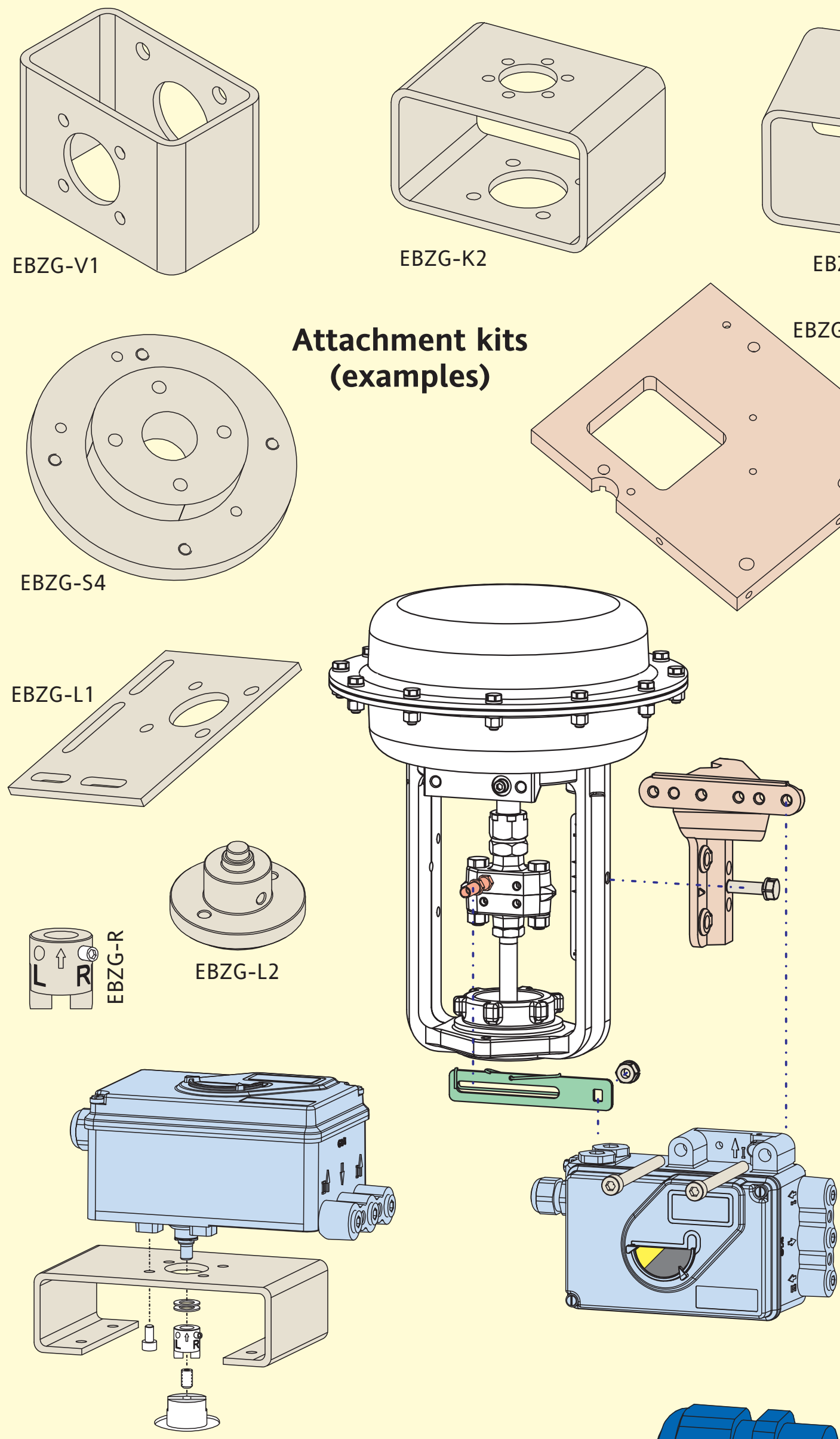


Accessories

for SRD991 and SRI990 Positioners



<http://www.foxboro-eckardt.eu>

invenSYS
Operations Management

LEXG-M3: Version with Gauges AND Booster (normally either Gauges OR Booster)

FOXBORO
ECKARDT